

# SPIM S20: A MIPS R2000 Simulator\*

“ $\frac{1}{25}$ <sup>th</sup> the performance at none of the cost”

James R. Larus  
larus@cs.wisc.edu  
Computer Sciences Department  
University of Wisconsin–Madison  
1210 West Dayton Street  
Madison, WI 53706, USA  
608-262-9519

Copyright ©1990–1993 by James R. Larus  
(This document may be copied without royalties,  
so long as this copyright notice remains on it.)  
April. 12, 1993  
(Revision 11 corresponding to SPIM Version 5.1)

## 1 SPIM

SPIM S20 is a simulator that runs programs for the MIPS R2000/R3000 RISC computers.<sup>1</sup> SPIM can read and immediately execute files containing assembly language or MIPS executable files. SPIM is a self-contained system for running these programs and contains a debugger and interface to a few operating system services.

The architecture of the MIPS computers is simple and regular, which makes it easy to learn and understand. The processor contains 32 general-purpose registers and a well-designed instruction set that make it a propitious target for generating code in a compiler.

However, the obvious question is: why use a simulator when many people have workstations that contain a hardware, and hence significantly faster, implementation of this computer? One reason is that these workstations are not generally available. Another reason is that these machine will not persist for many years because of the rapid progress leading to new and faster computers. Unfortunately, the trend is to make computers faster by executing several instructions concurrently, which makes their architecture more difficult to understand and program. The MIPS architecture may be the epitome of a simple, clean RISC machine.

In addition, simulators can provide a better environment for low-level programming than an actual machine because they can detect more errors and provide more features than an actual computer. For example, SPIM has a X-window interface that is better than most debuggers for the actual machines.

---

\*I grateful to the many students at UW who used SPIM in their courses and happily found bugs in a professor’s code. In particular, the students in CS536, Spring 1990, painfully found the last few bugs in an “already-debugged” simulator. I am grateful for their patience and persistence. Alan Yuen-wui Siow wrote the X-window interface.

<sup>1</sup>For a description of the real machines, see Gerry Kane and Joe Heinrich, *MIPS RISC Architecture*, Prentice Hall, 1992.

Finally, simulators are an useful tool for studying computers and the programs that run on them. Because they are implemented in software, not silicon, they can be easily modified to add new instructions, build new systems such as multiprocessors, or simply to collect data.

## 1.1 Simulation of a Virtual Machine

The MIPS architecture, like that of most RISC computers, is difficult to program directly because of its delayed branches, delayed loads, and restricted address modes. This difficulty is tolerable since these computers were designed to be programmed in high-level languages and so present an interface designed for compilers, not programmers. A good part of the complexity results from delayed instructions. A *delayed branch* takes two cycles to execute. In the second cycle, the instruction immediately following the branch executes. This instruction can perform useful work that normally would have been done before the branch or it can be a `nop` (no operation). Similarly, *delayed loads* take two cycles so the instruction immediately following a load cannot use the value loaded from memory.

MIPS wisely choose to hide this complexity by implementing a *virtual machine* with their assembler. This virtual computer appears to have non-delayed branches and loads and a richer instruction set than the actual hardware. The assembler *reorganizes* (rearranges) instructions to fill the delay slots. It also simulates the additional, *pseudoinstructions* by generating short sequences of actual instructions.

By default, SPIM simulates the richer, virtual machine. It can also simulate the actual hardware. We will describe the virtual machine and only mention in passing features that do not belong to the actual hardware. In doing so, we are following the convention of MIPS assembly language programmers (and compilers), who routinely take advantage of the extended machine. Instructions marked with a dagger (†) are pseudoinstructions.

## 1.2 SPIM Interface

SPIM provides a simple terminal and a X-window interface. Both provide equivalent functionality, but the X interface is generally easier to use and more informative.

`spim`, the terminal version, and `xspim`, the X version, have the following command-line options:

`-bare`

Simulate a bare MIPS machine without pseudoinstructions or the additional addressing modes provided by the assembler. Implies `-quiet`.

`-asm`

Simulate the virtual MIPS machine provided by the assembler. This is the default.

`-notrap`

Do not load the standard trap handler. This trap handler has two functions that must be assumed by the user's program. First, it handles traps. When a trap occurs, SPIM jumps to location `0x80000080`, which should contain code to service the exception. Second, this file contains startup code that invokes the routine `main`. Without the trap handler, execution begins at the instruction labeled `__start`.

`-trap`

Load the standard trap handler. This is the default.

- noquiet**  
Print a message when an exception occurs. This is the default.
- quiet**  
Do not print a message at an exception.
- nomapped\_io**  
Disable the memory-mapped IO facility (see Section 5).
- mapped\_io**  
Enable the memory-mapped IO facility (see Section 5). Programs that use SPIM syscalls (see Section 1.5) to read from the terminal should not also use memory-mapped IO.
- file**  
Load and execute the assembly code in the file.
- execute**  
Load and execute the code in the MIPS executable file *a.out*.
- s seg size** Sets the initial size of memory segment *seg* to be *size* bytes. The memory segments are named: **text**, **data**, **stack**, **ktext**, and **kdata**. For example, the pair of arguments **-sdata 2000000** starts the user data segment at 2,000,000 bytes.
- lseg size** Sets the limit on how large memory segment *seg* can grow to be *size* bytes. The memory segments that can grow are: **data**, **stack**, and **kdata**.

### 1.2.1 Terminal Interface

The terminal interface (**spim**) provides the following commands:

- exit**  
Exit the simulator.
- read "file"**  
Read *file* of assembly language commands into SPIM's memory. If the file has already been read into SPIM, the system should be cleared (see **reinitialize**, below) or global symbols will be multiply defined.
- load "file"**  
Synonym for **read**.
- execute "a.out"**  
Read the MIPS executable file *a.out* into SPIM's memory.
- run <addr>**  
Start running a program. If the optional address *addr* is provided, the program starts at that address. Otherwise, the program starts at the global symbol **\_\_start**, which is defined by the default trap handler to call the routine at the global symbol **main** with the usual MIPS calling convention.
- step <N>**  
Step the program for *N* (default: 1) instructions. Print instructions as they execute.

**continue**  
Continue program execution without stepping.

**print \$N**  
Print register *N*.

**print \$fN**  
Print floating point register *N*.

**print addr**  
Print the contents of memory at address *addr*.

**print\_sym**  
Print the contents of the symbol table, i.e., the addresses of the global (but not local) symbols.

**reinitialize**  
Clear the memory and registers.

**breakpoint addr**  
Set a breakpoint at address *addr*. *addr* can be either a memory address or symbolic label.

**delete addr**  
Delete all breakpoints at address *addr*.

**list**  
List all breakpoints.

**.**  
Rest of line is an assembly instruction that is stored in memory.

**<nl>**  
A newline reexecutes previous command.

**?**  
Print a help message.

Most commands can be abbreviated to their unique prefix e.g., **ex**, **re**, **l**, **ru**, **s**, **p**. More dangerous commands, such as **reinitialize**, require a longer prefix.

### 1.2.2 X-Window Interface

The X version of SPIM, **xspim**, looks different, but should operate in the same manner as **spim**. The X window has five panes (see Figure 1). The top pane displays the contents of the registers. It is continually updated, except while a program is running.

The next pane contains the buttons that control the simulator:

**quit**  
Exit from the simulator.

**load**  
Read a source or executable file into memory.

**xspim**

PC = 00000000 EPC = 00000000 Cause = 00000000 BadVaddr = 00000000  
 Status= 00000000 HI = 00000000 LO = 00000000

**General Registers**

R0 (r0) = 00000000 R8 (t0) = 00000000 R16 (s0) = 00000000 R24 (t8) = 00000000  
 R1 (a0) = 00000000 R9 (t1) = 00000000 R17 (s1) = 00000000 R25 (s9) = 00000000  
 R2 (v0) = 00000000 R10 (t2) = 00000000 R18 (s2) = 00000000 R26 (k0) = 00000000  
 R3 (v1) = 00000000 R11 (t3) = 00000000 R19 (s3) = 00000000 R27 (k1) = 00000000  
 R4 (a0) = 00000000 R12 (t4) = 00000000 R20 (s4) = 00000000 R28 (gp) = 00000000  
 R5 (a1) = 00000000 R13 (t5) = 00000000 R21 (s5) = 00000000 R29 (gp) = 00000000  
 R6 (a2) = 00000000 R14 (t6) = 00000000 R22 (s6) = 00000000 R30 (s8) = 00000000  
 R7 (a3) = 00000000 R15 (t7) = 00000000 R23 (s7) = 00000000 R31 (ra) = 00000000

**Double Floating Point Registers**

FP0 = 0.000000 FP8 = 0.000000 FP16 = 0.000000 FP24 = 0.000000  
 FP2 = 0.000000 FP10 = 0.000000 FP18 = 0.000000 FP26 = 0.000000  
 FP4 = 0.000000 FP12 = 0.000000 FP20 = 0.000000 FP28 = 0.000000  
 FP6 = 0.000000 FP14 = 0.000000 FP22 = 0.000000 FP30 = 0.000000

**Single Floating Point Registers**

**Control Buttons**

---

**Text Segments**

[0x00400000] 0x8fa40000 lw R4, 0(R29) []  
 [0x00400004] 0x27a50004 addiu R5, R29, 4 []  
 [0x00400008] 0x24a60004 addiu R6, R5, 4 []  
 [0x0040000c] 0x00041090 sll R2, R4, 2  
 [0x00400010] 0x00c23021 addu R6, R6, R2  
 [0x00400014] 0x0c000000 jal 0x00000000 []  
 [0x00400018] 0x3402000a ori R0, R0, 10 []  
 [0x0040001c] 0x0000000c syscall

---

**Data Segments**

[0x10000000] ..[0x10010000] 0x00000000  
 [0x10010004] 0x74706563 0x206e6569 0x636f2000  
 [0x10010010] 0x72727563 0x61206465 0x6920646e 0x726f6e67  
 [0x10010020] 0x000a6465 0x495b2020 0x7265746e 0x74707572  
 [0x10010030] 0x0000205d 0x20200000 0x616e555b 0x6e67696c  
 [0x10010040] 0x61206465 0x65726464 0x69207373 0x6e69206e  
 [0x10010050] 0x642f7473 0x20617461 0x63746566 0x00205d68  
 [0x10010060] 0x555b2020 0x696c616e 0x64656e67 0x64646120  
 [0x10010070] 0x73736572 0x206e6920 0x726f7473 0x00205d65

---

SPIM Version 3.2 of January 14, 1990

**SPIM Messages**

Figure 1: X-window interface to SPIM.

**run**

Start the program running.

**step**

Single-step through a program.

**clear**

Reinitialize registers or memory.

**set value**

Set the value in a register or memory location.

**print**

Print the value in a register or memory location.

**breakpoint**

Set or delete a breakpoint or list all breakpoints.

**help**

Print a help message.

**terminal**

Raise or hide the console window.

**mode**

Set SPIM operating modes.

The next two panes display the memory contents. The top one shows instructions from the user and kernel text segments.<sup>2</sup> The first few instructions in the text segment are startup code (`_start`) that loads `argc` and `argv` into registers and invokes the `main` routine.

The lower of these two panes displays the data and stack segments. Both panes are updated as a program executes.

The bottom pane is used to display messages from the simulator. It does not display output from an executing program. When a program reads or writes, its IO appears in a separate window, called the Console, which pops up when needed.

### 1.3 Surprising Features

Although SPIM faithfully simulates the MIPS computer, it is a simulator and certain things are not identical to the actual computer. The most obvious differences are that instruction timing and the memory systems are not identical. SPIM does not simulate caches or memory latency, nor does it accurately reflect the delays for floating point operations or multiplies and divides.

Another surprise (which occurs on the real machine as well) is that a pseudoinstruction expands into several machine instructions. When single-stepping or examining memory, the instructions that you see are slightly different from the source program. The correspondence between the two sets of instructions is fairly simple since SPIM does not reorganize the instructions to fill delay slots.

---

<sup>2</sup>These instructions are real—not pseudo—MIPS instructions. SPIM translates assembler pseudoinstructions to 1–3 MIPS instructions before storing the program in memory. Each source instruction appears as a comment on the first instruction to which it is translated.

## 1.4 Assembler Syntax

Comments in assembler files begin with a sharp-sign (`#`). Everything from the sharp-sign to the end of the line is ignored.

Identifiers are a sequence of alphanumeric characters, underbars (`_`), and dots (`.`) that do not begin with a number. Opcodes for instructions are reserved words that are **not** valid identifiers. Labels are declared by putting them at the beginning of a line followed by a colon, for example:

```
.data
item: .word 1
      .text
      .globl main          # Must be global
main: lw $t0, item
```

Strings are enclosed in double-quotes (`"`). Special characters in strings follow the C convention:

```
newline      \n
tab          \t
quote       \"
```

SPIM supports a subset of the assembler directives provided by the MIPS assembler:

- `.align n`  
Align the next datum on a  $2^n$  byte boundary. For example, `.align 2` aligns the next value on a word boundary. `.align 0` turns off automatic alignment of `.half`, `.word`, `.float`, and `.double` directives until the next `.data` or `.kdata` directive.
- `.ascii str`  
Store the string in memory, but do not null-terminate it.
- `.asciiz str`  
Store the string in memory and null-terminate it.
- `.byte b1, ..., bn`  
Store the  $n$  values in successive bytes of memory.
- `.data <addr>`  
The following data items should be stored in the data segment. If the optional argument *addr* is present, the items are stored beginning at address *addr*.
- `.double d1, ..., dn`  
Store the  $n$  floating point double precision numbers in successive memory locations.
- `.extern sym size`  
Declare that the datum stored at `sym` is `size` bytes large and is a global symbol. This directive enables the assembler to store the datum in a portion of the data segment that is efficiently accessed via register `$gp`.
- `.float f1, ..., fn`  
Store the  $n$  floating point single precision numbers in successive memory locations.
- `.globl sym`  
Declare that symbol `sym` is global and can be referenced from other files.

Service	System Call Code	Arguments	Result
print_int	1	\$a0 = integer	
print_float	2	\$f12 = float	
print_double	3	\$f12 = double	
print_string	4	\$a0 = string	
read_int	5		integer (in \$v0)
read_float	6		float (in \$f0)
read_double	7		double (in \$f0)
read_string	8	\$a0 = buffer, \$a1 = length	
sbrk	9	\$a0 = amount	address (in \$v0)
exit	10		

Table 1: System services.

`.half h1, ..., hn`

Store the  $n$  16-bit quantities in successive memory halfwords.

`.kdata <addr>`

The following data items should be stored in the kernel data segment. If the optional argument *addr* is present, the items are stored beginning at address *addr*.

`.ktext <addr>`

The next items are put in the kernel text segment. In SPIM, these items may only be instructions or words (see the `.word` directive below). If the optional argument *addr* is present, the items are stored beginning at address *addr*.

`.space n`

Allocate  $n$  bytes of space in the current segment (which must be the data segment in SPIM).

`.text <addr>`

The next items are put in the user text segment. In SPIM, these items may only be instructions or words (see the `.word` directive below). If the optional argument *addr* is present, the items are stored beginning at address *addr*.

`.word w1, ..., wn`

Store the  $n$  32-bit quantities in successive memory words.

SPIM does not distinguish various parts of the data segment (`.data`, `.rdata`, and `.sdata`).

## 1.5 System Calls

SPIM provides a small set of operating-system-like services through the system call (`syscall`) instruction. To request a service, a program loads the system call code (see Table 1) into register `$v0` and the arguments into registers `$a0...$a3` (or `$f12` for floating point values). System calls that return values put their result in register `$v0` (or `$f0` for floating point results). For example, to print “the answer = 5”, use the commands:

```
.data
str: .ascii "the answer = "
.text
```

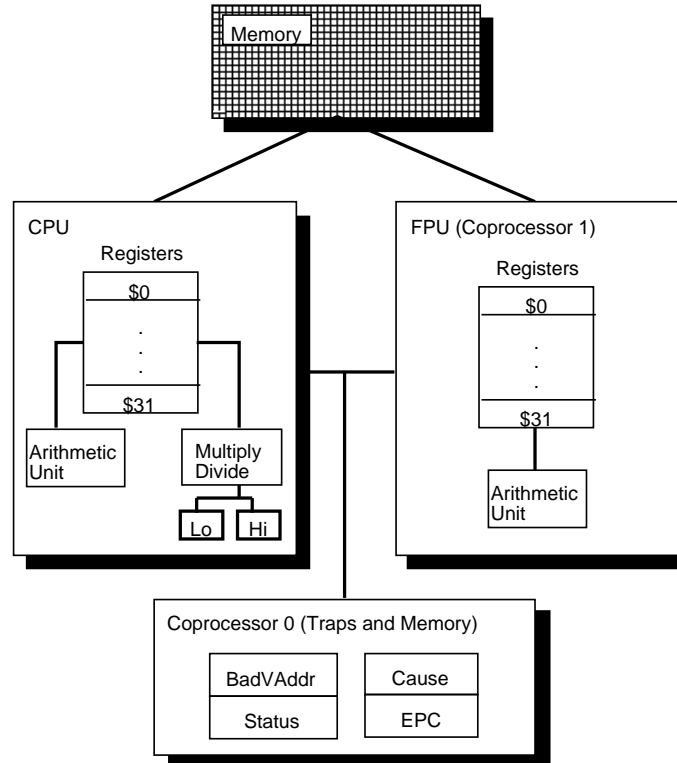


Figure 2: MIPS R2000 CPU and FPU

```

li $v0, 4      # system call code for print_str
la $a0, str    # address of string to print
syscall       # print the string

li $v0, 1      # system call code for print_int
li $a0, 5      # integer to print
syscall       # print it

```

`print_int` is passed an integer and prints it on the console. `print_float` prints a single floating point number. `print_double` prints a double precision number. `print_string` is passed a pointer to a null-terminated string, which it writes to the console.

`read_int`, `read_float`, and `read_double` read an entire line of input up to and including the newline. Characters following the number are ignored. `read_string` has the same semantics as the Unix library routine `fgets`. It reads up to  $n - 1$  characters into a buffer and terminates the string with a null byte. If there are fewer characters on the current line, it reads through the newline and again null-terminates the string. **Warning:** programs that use these syscalls to read from the terminal should not use memory-mapped IO (see Section 5).

`sbrk` returns a pointer to a block of memory containing  $n$  additional bytes. `exit` stops a program from running.

## 2 Description of the MIPS R2000

Register Name	Number	Usage
zero	0	Constant 0
at	1	Reserved for assembler
v0	2	Expression evaluation and
v1	3	results of a function
a0	4	Argument 1
a1	5	Argument 2
a2	6	Argument 3
a3	7	Argument 4
t0	8	Temporary (not preserved across call)
t1	9	Temporary (not preserved across call)
t2	10	Temporary (not preserved across call)
t3	11	Temporary (not preserved across call)
t4	12	Temporary (not preserved across call)
t5	13	Temporary (not preserved across call)
t6	14	Temporary (not preserved across call)
t7	15	Temporary (not preserved across call)
s0	16	Saved temporary (preserved across call)
s1	17	Saved temporary (preserved across call)
s2	18	Saved temporary (preserved across call)
s3	19	Saved temporary (preserved across call)
s4	20	Saved temporary (preserved across call)
s5	21	Saved temporary (preserved across call)
s6	22	Saved temporary (preserved across call)
s7	23	Saved temporary (preserved across call)
t8	24	Temporary (not preserved across call)
t9	25	Temporary (not preserved across call)
k0	26	Reserved for OS kernel
k1	27	Reserved for OS kernel
gp	28	Pointer to global area
sp	29	Stack pointer
fp	30	Frame pointer
ra	31	Return address (used by function call)

Table 2: MIPS registers and the convention governing their use.

A MIPS processor consists of an integer processing unit (the CPU) and a collection of coprocessors that perform ancillary tasks or operate on other types of data such as floating point numbers (see Figure 2). SPIM simulates two coprocessors. Coprocessor 0 handles traps, exceptions, and the virtual memory system. SPIM simulates most of the first two and entirely omits details of the memory system. Coprocessor 1 is the floating point unit. SPIM simulates most aspects of this unit.

## 2.1 CPU Registers

The MIPS (and SPIM) central processing unit contains 32 general purpose registers that are numbered 0–31. Register  $n$  is designated by  $\$n$ . Register  $\$0$  always contains the hardwired value 0. MIPS has established a set of conventions as to how registers should be used. These suggestions are guidelines, which are not enforced by the hardware. However a program that violates them will not work properly with other software. Table 2 lists the registers and describes their intended use.

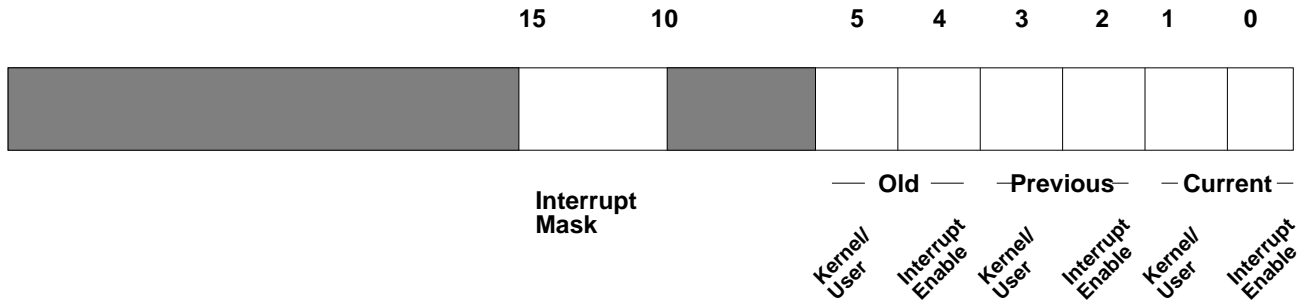


Figure 3: The Status register.

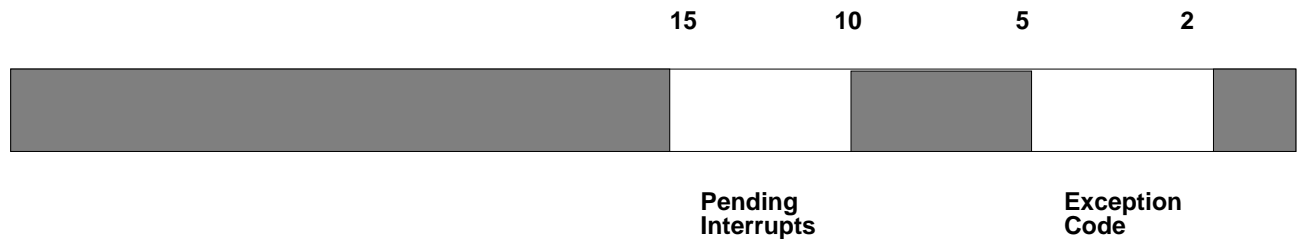


Figure 4: The Cause register.

Registers `$at` (1), `$k0` (26), and `$k1` (27) are reserved for use by the assembler and operating system.

Registers `$a0–$a3` (4–7) are used to pass the first four arguments to routines (remaining arguments are passed on the stack). Registers `$v0` and `$v1` (2, 3) are used to return values from functions. Registers `$t0–$t9` (8–15, 24, 25) are caller-saved registers used for temporary quantities that do not need to be preserved across calls. Registers `$s0–$s7` (16–23) are callee-saved registers that hold long-lived values that should be preserved across calls.

Register `$sp` (29) is the stack pointer, which points to the first free location on the stack. Register `$fp` (30) is the frame pointer.<sup>3</sup> Register `$ra` (31) is written with the return address for a call by the `jal` instruction.

Register `$gp` (28) is a global pointer that points into the middle of a 64K block of memory in the heap that holds constants and global variables. The objects in this heap can be quickly accessed with a single load or store instruction.

In addition, coprocessor 0 contains registers that are useful to handle exceptions. SPIM does not implement all of these registers, since they are not of much use in a simulator or are part of the memory system, which is not implemented. However, it does provide the following:

Register Name	Number	Usage
BadVAddr	8	Memory address at which address exception occurred
Status	12	Interrupt mask and enable bits
Cause	13	Exception type and pending interrupt bits
EPC	14	Address of instruction that caused exception

These registers are part of coprocessor 0's register set and are accessed by the `lwc0`, `mfc0`, `mtc0`, and `swc0` instructions.

Figure 3 describes the bits in the `Status` register that are implemented by SPIM. The `interrupt mask` contains a bit for each of the five interrupt levels. If a bit is one, interrupts at

<sup>3</sup>The MIPS compiler does not use a frame pointer, so this register is used as callee-saved register `$s8`.

that level are allowed. If the bit is zero, interrupts at that level are disabled. The low six bits of the `Status` register implement a three-level stack for the `kernel/user` and `interrupt enable` bits. The `kernel/user` bit is 0 if the program was running in the kernel when the interrupt occurred and 1 if it was in user mode. If the `interrupt enable` bit is 1, interrupts are allowed. If it is 0, they are disabled. At an interrupt, these six bits are shifted left by two bits, so the current bits become the previous bits and the previous bits become the old bits. The current bits are both set to 0 (i.e., kernel mode with interrupts disabled).

Figure 4 describes the bits in the `Cause` registers. The five `pending interrupt` bits correspond to the five interrupt levels. A bit becomes 1 when an interrupt at its level has occurred but has not been serviced. The `exception code` register contains a code from the following table describing the cause of an exception.

Number	Name	Description
0	INT	External interrupt
4	ADDRL	Address error exception (load or instruction fetch)
5	ADDRS	Address error exception (store)
6	IBUS	Bus error on instruction fetch
7	DBUS	Bus error on data load or store
8	SYSCALL	Syscall exception
9	BKPT	Breakpoint exception
10	RI	Reserved instruction exception
12	OVF	Arithmetic overflow exception

## 2.2 Byte Order

Processors can number the bytes within a word to make the byte with the lowest number either the leftmost or rightmost one. The convention used by a machine is its *byte order*. MIPS processors can operate with either *big-endian* byte order:

Byte #			
0	1	2	3

or *little-endian* byte order:

Byte #			
3	2	1	0

SPIM operates with both byte orders. SPIM's byte order is determined by the byte order of the underlying hardware running the simulator. On a DECstation 3100, SPIM is little-endian, while on a HP Bobcat, Sun 4 or PC/RT, SPIM is big-endian.

## 2.3 Addressing Modes

MIPS is a load/store architecture, which means that only load and store instructions access memory. Computation instructions operate only on values in registers. The bare machine provides only one memory addressing mode: `c(rx)`, which uses the sum of the immediate (integer) `c` and the contents of register `rx` as the address. The virtual machine provides the following addressing modes for load and store instructions:

Format	Address Computation
(register)	contents of register
imm	immediate
imm (register)	immediate + contents of register
symbol	address of symbol
symbol ± imm	address of symbol + or - immediate
symbol ± imm (register)	address of symbol + or - (immediate + contents of register)

Most load and store instructions operate only on aligned data. A quantity is *aligned* if its memory address is a multiple of its size in bytes. Therefore, a halfword object must be stored at even addresses and a full word object must be stored at addresses that are a multiple of 4. However, MIPS provides some instructions for manipulating unaligned data.

## 2.4 Arithmetic and Logical Instructions

In all instructions below, `Src2` can either be a register or an immediate value (a 16 bit integer). The immediate forms of the instructions are only included for reference. The assembler will translate the more general form of an instruction (e.g., `add`) into the immediate form (e.g., `addi`) if the second argument is constant.

*abs Rdest, Rsrc* *Absolute Value* †  
Put the absolute value of the integer from register `Rsrc` in register `Rdest`.

*add Rdest, Rsrc1, Src2* *Addition (with overflow)*  
*addi Rdest, Rsrc1, Imm* *Addition Immediate (with overflow)*  
*addu Rdest, Rsrc1, Src2* *Addition (without overflow)*  
*addiu Rdest, Rsrc1, Imm* *Addition Immediate (without overflow)*  
Put the sum of the integers from register `Rsrc1` and `Src2` (or `Imm`) into register `Rdest`.

*and Rdest, Rsrc1, Src2* *AND*  
*andi Rdest, Rsrc1, Imm* *AND Immediate*  
Put the logical AND of the integers from register `Rsrc1` and `Src2` (or `Imm`) into register `Rdest`.

*div Rsrc1, Rsrc2* *Divide (with overflow)*  
*divu Rsrc1, Rsrc2* *Divide (without overflow)*  
Divide the contents of the two registers. Leave the quotient in register `lo` and the remainder in register `hi`. Note that if an operand is negative, the remainder is unspecified by the MIPS architecture and depends on the conventions of the machine on which SPIM is run.

*div Rdest, Rsrc1, Src2* *Divide (with overflow)* †  
*divu Rdest, Rsrc1, Src2* *Divide (without overflow)* †  
Put the quotient of the integers from register `Rsrc1` and `Src2` into register `Rdest`.

*mul Rdest, Rsrc1, Src2* *Multiply (without overflow)* †  
*mulo Rdest, Rsrc1, Src2* *Multiply (with overflow)* †

*mulou Rdest, Rsrc1, Src2* *Unsigned Multiply (with overflow)* †  
Put the product of the integers from register `Rsrc1` and `Src2` into register `Rdest`.

*mult Rsrc1, Rsrc2* *Multiply*  
*multu Rsrc1, Rsrc2* *Unsigned Multiply*

Multiply the contents of the two registers. Leave the low-order word of the product in register `lo` and the high-word in register `hi`.

*neg Rdest, Rsrc* *Negate Value (with overflow)* †  
*negu Rdest, Rsrc* *Negate Value (without overflow)* †  
 Put the negative of the integer from register `Rsrc` into register `Rdest`.

*nor Rdest, Rsrc1, Src2* *NOR*  
 Put the logical NOR of the integers from register `Rsrc1` and `Src2` into register `Rdest`.

*not Rdest, Rsrc* *NOT* †  
 Put the bitwise logical negation of the integer from register `Rsrc` into register `Rdest`.

*or Rdest, Rsrc1, Src2* *OR*  
*ori Rdest, Rsrc1, Imm* *OR Immediate*  
 Put the logical OR of the integers from register `Rsrc1` and `Src2` (or `Imm`) into register `Rdest`.

*rem Rdest, Rsrc1, Src2* *Remainder* †  
*remu Rdest, Rsrc1, Src2* *Unsigned Remainder* †  
 Put the remainder from dividing the integer in register `Rsrc1` by the integer in `Src2` into register `Rdest`. Note that if an operand is negative, the remainder is unspecified by the MIPS architecture and depends on the conventions of the machine on which SPIM is run.

*rol Rdest, Rsrc1, Src2* *Rotate Left* †  
*ror Rdest, Rsrc1, Src2* *Rotate Right* †  
 Rotate the contents of register `Rsrc1` left (right) by the distance indicated by `Src2` and put the result in register `Rdest`.

*sll Rdest, Rsrc1, Src2* *Shift Left Logical*  
*sllv Rdest, Rsrc1, Rsrc2* *Shift Left Logical Variable*  
*sra Rdest, Rsrc1, Src2* *Shift Right Arithmetic*  
*srav Rdest, Rsrc1, Rsrc2* *Shift Right Arithmetic Variable*  
*srl Rdest, Rsrc1, Src2* *Shift Right Logical*  
*srlv Rdest, Rsrc1, Rsrc2* *Shift Right Logical Variable*  
 Shift the contents of register `Rsrc1` left (right) by the distance indicated by `Src2` (`Rsrc2`) and put the result in register `Rdest`.

*sub Rdest, Rsrc1, Src2* *Subtract (with overflow)*  
*subu Rdest, Rsrc1, Src2* *Subtract (without overflow)*  
 Put the difference of the integers from register `Rsrc1` and `Src2` into register `Rdest`.

*xor Rdest, Rsrc1, Src2* *XOR*  
*xori Rdest, Rsrc1, Imm* *XOR Immediate*  
 Put the logical XOR of the integers from register `Rsrc1` and `Src2` (or `Imm`) into register `Rdest`.

## 2.5 Constant-Manipulating Instructions

*li Rdest, imm* *Load Immediate* †  
 Move the immediate `imm` into register `Rdest`.

*lui Rdest, imm* *Load Upper Immediate*  
 Load the lower halfword of the immediate *imm* into the upper halfword of register *Rdest*. The lower bits of the register are set to 0.

## 2.6 Comparison Instructions

In all instructions below, *Src2* can either be a register or an immediate value (a 16 bit integer).

*seq Rdest, Rsrc1, Src2* *Set Equal* †  
 Set register *Rdest* to 1 if register *Rsrc1* equals *Src2* and to 0 otherwise.

*sge Rdest, Rsrc1, Src2* *Set Greater Than Equal* †  
*sgeu Rdest, Rsrc1, Src2* *Set Greater Than Equal Unsigned* †  
 Set register *Rdest* to 1 if register *Rsrc1* is greater than or equal to *Src2* and to 0 otherwise.

*sgt Rdest, Rsrc1, Src2* *Set Greater Than* †  
*sgtu Rdest, Rsrc1, Src2* *Set Greater Than Unsigned* †  
 Set register *Rdest* to 1 if register *Rsrc1* is greater than *Src2* and to 0 otherwise.

*sle Rdest, Rsrc1, Src2* *Set Less Than Equal* †  
*sleu Rdest, Rsrc1, Src2* *Set Less Than Equal Unsigned* †  
 Set register *Rdest* to 1 if register *Rsrc1* is less than or equal to *Src2* and to 0 otherwise.

*slt Rdest, Rsrc1, Src2* *Set Less Than*  
*slti Rdest, Rsrc1, Imm* *Set Less Than Immediate*  
*sltu Rdest, Rsrc1, Src2* *Set Less Than Unsigned*  
*sltiu Rdest, Rsrc1, Imm* *Set Less Than Unsigned Immediate*  
 Set register *Rdest* to 1 if register *Rsrc1* is less than *Src2* (or *Imm*) and to 0 otherwise.

*sne Rdest, Rsrc1, Src2* *Set Not Equal* †  
 Set register *Rdest* to 1 if register *Rsrc1* is not equal to *Src2* and to 0 otherwise.

## 2.7 Branch and Jump Instructions

In all instructions below, *Src2* can either be a register or an immediate value (integer). Branch instructions use a signed 16-bit offset field; hence they can jump  $2^{15} - 1$  instructions (not bytes) forward or  $2^{15}$  instructions backwards. The *jump* instruction contains a 26 bit address field.

*b label* *Branch instruction* †  
 Unconditionally branch to the instruction at the label.

*bczt label* *Branch Coprocessor z True*  
*bczf label* *Branch Coprocessor z False*  
 Conditionally branch to the instruction at the label if coprocessor *z*'s condition flag is true (false).

*beq Rsrc1, Src2, label* *Branch on Equal*  
 Conditionally branch to the instruction at the label if the contents of register *Rsrc1* equals *Src2*.

*beqz Rsrc, label* *Branch on Equal Zero* †  
 Conditionally branch to the instruction at the label if the contents of *Rsrc* equals 0.

*bge Rsrc1, Src2, label* *Branch on Greater Than Equal* †  
*bgeu Rsrc1, Src2, label* *Branch on GTE Unsigned* †  
Conditionally branch to the instruction at the label if the contents of register **Rsrc1** are greater than or equal to **Src2**.

*bgez Rsrc, label* *Branch on Greater Than Equal Zero*  
Conditionally branch to the instruction at the label if the contents of **Rsrc** are greater than or equal to 0.

*bgezal Rsrc, label* *Branch on Greater Than Equal Zero And Link*  
Conditionally branch to the instruction at the label if the contents of **Rsrc** are greater than or equal to 0. Save the address of the next instruction in register 31.

*bgt Rsrc1, Src2, label* *Branch on Greater Than* †  
*bgtu Rsrc1, Src2, label* *Branch on Greater Than Unsigned* †  
Conditionally branch to the instruction at the label if the contents of register **Rsrc1** are greater than **Src2**.

*bgtz Rsrc, label* *Branch on Greater Than Zero*  
Conditionally branch to the instruction at the label if the contents of **Rsrc** are greater than 0.

*ble Rsrc1, Src2, label* *Branch on Less Than Equal* †  
*bleu Rsrc1, Src2, label* *Branch on LTE Unsigned* †  
Conditionally branch to the instruction at the label if the contents of register **Rsrc1** are less than or equal to **Src2**.

*blez Rsrc, label* *Branch on Less Than Equal Zero*  
Conditionally branch to the instruction at the label if the contents of **Rsrc** are less than or equal to 0.

*bgezal Rsrc, label* *Branch on Greater Than Equal Zero And Link*  
*bltzal Rsrc, label* *Branch on Less Than And Link*  
Conditionally branch to the instruction at the label if the contents of **Rsrc** are greater or equal to 0 or less than 0, respectively. Save the address of the next instruction in register 31.

*blt Rsrc1, Src2, label* *Branch on Less Than* †  
*bltu Rsrc1, Src2, label* *Branch on Less Than Unsigned* †  
Conditionally branch to the instruction at the label if the contents of register **Rsrc1** are less than **Src2**.

*bltz Rsrc, label* *Branch on Less Than Zero*  
Conditionally branch to the instruction at the label if the contents of **Rsrc** are less than 0.

*bne Rsrc1, Src2, label* *Branch on Not Equal*  
Conditionally branch to the instruction at the label if the contents of register **Rsrc1** are not equal to **Src2**.

*bnez Rsrc, label* *Branch on Not Equal Zero* †  
Conditionally branch to the instruction at the label if the contents of **Rsrc** are not equal to 0.

*j label* *Jump*  
Unconditionally jump to the instruction at the label.

*jal label* *Jump and Link*  
*jalr Rsrc* *Jump and Link Register*  
Unconditionally jump to the instruction at the label or whose address is in register **Rsrc**. Save the address of the next instruction in register 31.

*jr Rsrc* *Jump Register*  
Unconditionally jump to the instruction whose address is in register **Rsrc**.

## 2.8 Load Instructions

*la Rdest, address* *Load Address* †  
Load computed *address*, not the contents of the location, into register **Rdest**.

*lb Rdest, address* *Load Byte*  
*lbu Rdest, address* *Load Unsigned Byte*  
Load the byte at *address* into register **Rdest**. The byte is sign-extended by the **lb**, but not the **lbu**, instruction.

*ld Rdest, address* *Load Double-Word* †  
Load the 64-bit quantity at *address* into registers **Rdest** and **Rdest + 1**.

*lh Rdest, address* *Load Halfword*  
*lhu Rdest, address* *Load Unsigned Halfword*  
Load the 16-bit quantity (halfword) at *address* into register **Rdest**. The halfword is sign-extended by the **lh**, but not the **lhu**, instruction

*lw Rdest, address* *Load Word*  
Load the 32-bit quantity (word) at *address* into register **Rdest**.

*lwcz Rdest, address* *Load Word Coprocessor*  
Load the word at *address* into register **Rdest** of coprocessor *z* (0–3).

*lwl Rdest, address* *Load Word Left*  
*lwr Rdest, address* *Load Word Right*  
Load the left (right) bytes from the word at the possibly-unaligned *address* into register **Rdest**.

*ulh Rdest, address* *Unaligned Load Halfword* †  
*ulhu Rdest, address* *Unaligned Load Halfword Unsigned* †  
Load the 16-bit quantity (halfword) at the possibly-unaligned *address* into register **Rdest**. The halfword is sign-extended by the **ulh**, but not the **ulhu**, instruction

*ulw Rdest, address* *Unaligned Load Word* †  
Load the 32-bit quantity (word) at the possibly-unaligned *address* into register **Rdest**.

## 2.9 Store Instructions

*sb Rsrc, address* *Store Byte*  
Store the low byte from register **Rsrc** at *address*.

*sd Rsrc, address* *Store Double-Word* †  
Store the 64-bit quantity in registers **Rsrc** and **Rsrc + 1** at *address*.

*sh Rsrc, address* *Store Halfword*  
Store the low halfword from register **Rsrc** at *address*.

*sw Rsrc, address* *Store Word*  
Store the word from register **Rsrc** at *address*.

*swcz Rsrc, address* *Store Word Coprocessor*  
Store the word from register **Rsrc** of coprocessor *z* at *address*.

*swl Rsrc, address* *Store Word Left*  
*swr Rsrc, address* *Store Word Right*  
Store the left (right) bytes from register **Rsrc** at the possibly-unaligned *address*.

*ush Rsrc, address* *Unaligned Store Halfword* †  
Store the low halfword from register **Rsrc** at the possibly-unaligned *address*.

*usw Rsrc, address* *Unaligned Store Word* †  
Store the word from register **Rsrc** at the possibly-unaligned *address*.

## 2.10 Data Movement Instructions

*move Rdest, Rsrc* *Move* †  
Move the contents of **Rsrc** to **Rdest**.

The multiply and divide unit produces its result in two additional registers, hi and lo. These instructions move values to and from these registers. The multiply, divide, and remainder instructions described above are pseudoinstructions that make it appear as if this unit operates on the general registers and detect error conditions such as divide by zero or overflow.

*mghi Rdest* *Move From hi*  
*mglo Rdest* *Move From lo*  
Move the contents of the hi (lo) register to register **Rdest**.

*mthi Rdest* *Move To hi*  
*mtlo Rdest* *Move To lo*  
Move the contents register **Rdest** to the hi (lo) register.

Coprocessors have their own register sets. These instructions move values between these registers and the CPU's registers.

*mfcz Rdest, CPsrc* *Move From Coprocessor z*  
Move the contents of coprocessor *z*'s register *CPsrc* to CPU register *Rdest*.

*mfc1.d Rdest, FRsrc1* *Move Double From Coprocessor 1* †  
Move the contents of floating point registers *FRsrc1* and *FRsrc1 + 1* to CPU registers *Rdest* and *Rdest + 1*.

*mtcz Rsrc, CPdest* *Move To Coprocessor z*  
Move the contents of CPU register *Rsrc* to coprocessor *z*'s register *CPdest*.

## 2.11 Floating Point Instructions

The MIPS has a floating point coprocessor (numbered 1) that operates on single precision (32-bit) and double precision (64-bit) floating point numbers. This coprocessor has its own registers, which are numbered *\$f0–\$f31*. Because these registers are only 32-bits wide, two of them are required to hold doubles. To simplify matters, floating point operations only use even-numbered registers—including instructions that operate on single floats.

Values are moved in or out of these registers a word (32-bits) at a time by *lwc1*, *swc1*, *mtc1*, and *mfc1* instructions described above or by the *l.s*, *l.d*, *s.s*, and *s.d* pseudoinstructions described below. The flag set by floating point comparison operations is read by the CPU with its *bc1t* and *bc1f* instructions.

In all instructions below, *FRdest*, *FRsrc1*, *FRsrc2*, and *FRsrc* are floating point registers (e.g., *\$f2*).

*abs.d FRdest, FRsrc* *Floating Point Absolute Value Double*  
*abs.s FRdest, FRsrc* *Floating Point Absolute Value Single*  
Compute the absolute value of the floating float double (single) in register *FRsrc* and put it in register *FRdest*.

*add.d FRdest, FRsrc1, FRsrc2* *Floating Point Addition Double*  
*add.s FRdest, FRsrc1, FRsrc2* *Floating Point Addition Single*  
Compute the sum of the floating float doubles (singles) in registers *FRsrc1* and *FRsrc2* and put it in register *FRdest*.

*c.eq.d FRsrc1, FRsrc2* *Compare Equal Double*  
*c.eq.s FRsrc1, FRsrc2* *Compare Equal Single*  
Compare the floating point double in register *FRsrc1* against the one in *FRsrc2* and set the floating point condition flag true if they are equal.

*c.le.d FRsrc1, FRsrc2* *Compare Less Than Equal Double*  
*c.le.s FRsrc1, FRsrc2* *Compare Less Than Equal Single*  
Compare the floating point double in register *FRsrc1* against the one in *FRsrc2* and set the floating point condition flag true if the first is less than or equal to the second.

*c.lt.d FRsrc1, FRsrc2* *Compare Less Than Double*  
*c.lt.s FRsrc1, FRsrc2* *Compare Less Than Single*  
Compare the floating point double in register *FRsrc1* against the one in *FRsrc2* and set the condition flag true if the first is less than the second.

*cvt.d.s FRdest, FRsrc* *Convert Single to Double*  
*cvt.d.w FRdest, FRsrc* *Convert Integer to Double*  
 Convert the single precision floating point number or integer in register **FRsrc** to a double precision number and put it in register **FRdest**.

*cvt.s.d FRdest, FRsrc* *Convert Double to Single*  
*cvt.s.w FRdest, FRsrc* *Convert Integer to Single*  
 Convert the double precision floating point number or integer in register **FRsrc** to a single precision number and put it in register **FRdest**.

*cvt.w.d FRdest, FRsrc* *Convert Double to Integer*  
*cvt.w.s FRdest, FRsrc* *Convert Single to Integer*  
 Convert the double or single precision floating point number in register **FRsrc** to an integer and put it in register **FRdest**.

*div.d FRdest, FRsrc1, FRsrc2* *Floating Point Divide Double*  
*div.s FRdest, FRsrc1, FRsrc2* *Floating Point Divide Single*  
 Compute the quotient of the floating float doubles (singles) in registers **FRsrc1** and **FRsrc2** and put it in register **FRdest**.

*l.d FRdest, address* *Load Floating Point Double †*  
*l.s FRdest, address* *Load Floating Point Single †*  
 Load the floating float double (single) at **address** into register **FRdest**.

*mov.d FRdest, FRsrc* *Move Floating Point Double*  
*mov.s FRdest, FRsrc* *Move Floating Point Single*  
 Move the floating float double (single) from register **FRsrc** to register **FRdest**.

*mul.d FRdest, FRsrc1, FRsrc2* *Floating Point Multiply Double*  
*mul.s FRdest, FRsrc1, FRsrc2* *Floating Point Multiply Single*  
 Compute the product of the floating float doubles (singles) in registers **FRsrc1** and **FRsrc2** and put it in register **FRdest**.

*neg.d FRdest, FRsrc* *Negate Double*  
*neg.s FRdest, FRsrc* *Negate Single*  
 Negate the floating point double (single) in register **FRsrc** and put it in register **FRdest**.

*s.d FRdest, address* *Store Floating Point Double †*  
*s.s FRdest, address* *Store Floating Point Single †*  
 Store the floating float double (single) in register **FRdest** at **address**.

*sub.d FRdest, FRsrc1, FRsrc2* *Floating Point Subtract Double*  
*sub.s FRdest, FRsrc1, FRsrc2* *Floating Point Subtract Single*  
 Compute the difference of the floating float doubles (singles) in registers **FRsrc1** and **FRsrc2** and put it in register **FRdest**.

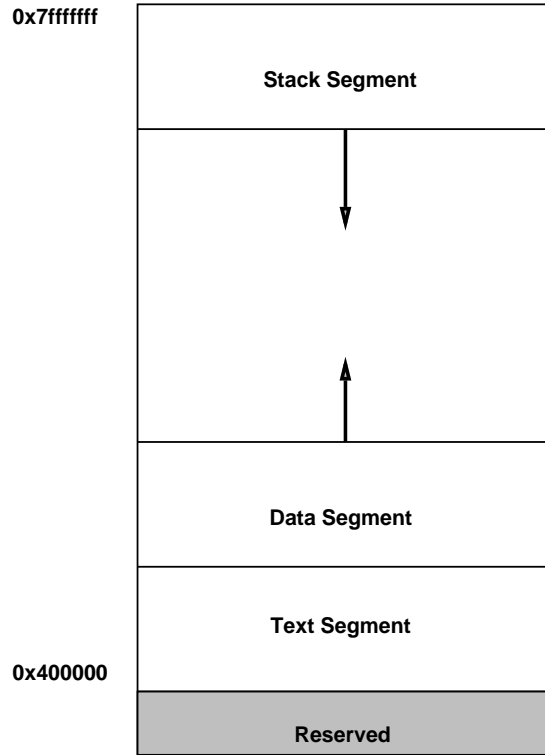


Figure 5: Layout of memory.

## 2.12 Exception and Trap Instructions

*rfe*

Restore the Status register.

*Return From Exception*

*syscall*

Register  $\$v0$  contains the number of the system call (see Table 1) provided by SPIM.

*System Call*

*break n*

Cause exception  $n$ . Exception 1 is reserved for the debugger.

*Break*

*nop*

Do nothing.

*No operation*

## 3 Memory Usage

The organization of memory in MIPS systems is conventional. A program's address space is composed of three parts (see Figure 5).

At the bottom of the user address space (0x400000) is the text segment, which holds the instructions for a program.

Above the text segment is the data segment (starting at 0x1000000), which is divided into two parts. The static data portion contains objects whose size and address are known to the

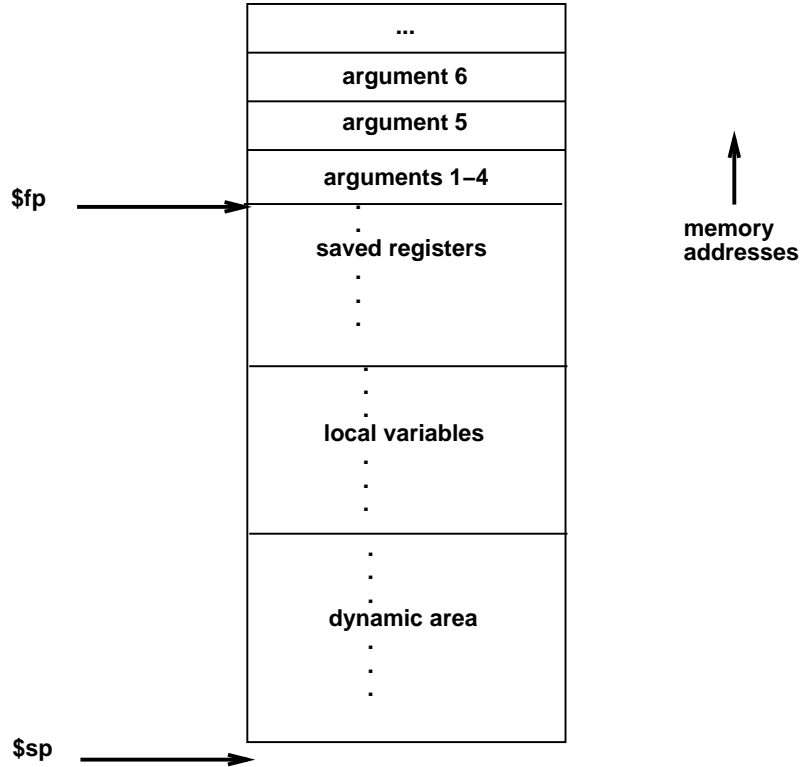


Figure 6: Layout of a stack frame. The frame pointer points just below the last argument passed on the stack. The stack pointer points to the first word after the frame.

compiler and linker. Immediately above these objects is dynamic data. As a program allocates space dynamically (i.e., by `malloc`), the `sbrk` system call moves the top of the data segment up.

The program stack resides at the top of the address space (`0x7fffffff`). It grows down, towards the data segment.

## 4 Calling Convention

The calling convention described in this section is the one used by `gcc`, not the native MIPS compiler, which uses a more complex convention that is slightly faster.

Figure 6 shows a diagram of a stack frame. A frame consists of the memory between the frame pointer (`$fp`), which points to the word immediately after the last argument passed on the stack, and the stack pointer (`$sp`), which points to the first free word on the stack. As typical of Unix systems, the stack grows down from higher memory addresses, so the frame pointer is above stack pointer.

The following steps are necessary to effect a call:

1. Pass the arguments. By convention, the first four arguments are passed in registers `$a0`–`$a3` (though simpler compilers may choose to ignore this convention and pass all arguments via the stack). The remaining arguments are pushed on the stack.
2. Save the caller-saved registers. This includes registers `$t0`–`$t9`, if they contain live values at the call site.

3. Execute a `jal` instruction.

Within the called routine, the following steps are necessary:

1. Establish the stack frame by subtracting the frame size from the stack pointer.
2. Save the callee-saved registers in the frame. Register `$fp` is always saved. Register `$ra` needs to be saved if the routine itself makes calls. Any of the registers `$s0–$s7` that are used by the callee need to be saved.
3. Establish the frame pointer by adding the stack frame size to the address in `$sp`.

Finally, to return from a call, a function places the returned value into `$v0` and executes the following steps:

1. Restore any callee-saved registers that were saved upon entry (including the frame pointer `$fp`).
2. Pop the stack frame by subtracting the frame size from `$sp`.
3. Return by jumping to the address in register `$ra`.

## 5 Input and Output

In addition to simulating the basic operation of the CPU and operating system, SPIM also simulates a memory-mapped terminal connected to the machine. When a program is “running,” SPIM connects its own terminal (or a separate console window in `xspim`) to the processor. The program can read characters that you type while the processor is running. Similarly, if SPIM executes instructions to write characters to the terminal, the characters will appear on SPIM’s terminal or console window. One exception to this rule is control-C: it is not passed to the processor, but instead causes SPIM to stop simulating and return to command mode. When the processor stops executing (for example, because you typed control-C or because the machine hit a breakpoint), the terminal is reconnected to SPIM so you can type SPIM commands. To use memory-mapped IO, `spim` or `xspim` must be started with the `-mapped_io` flag.

The terminal device consists of two independent units: a *receiver* and a *transmitter*. The receiver unit reads characters from the keyboard as they are typed. The transmitter unit writes characters to the terminal’s display. The two units are completely independent. This means, for example, that characters typed at the keyboard are not automatically “echoed” on the display. Instead, the processor must get an input character from the receiver and re-transmit it to echo it.

The processor accesses the terminal using four memory-mapped device registers, as shown in Figure 7. “Memory-mapped” means that each register appears as a special memory location. The Receiver Control Register is at location `0xffff0000`; only two of its bits are actually used. Bit 0 is called “ready”: if it is one it means that a character has arrived from the keyboard but has not yet been read from the receiver data register. The ready bit is read-only: attempts to write it are ignored. The ready bit changes automatically from zero to one when a character is typed at the keyboard, and it changes automatically from one to zero when the character is read from the receiver data register.

Bit one of the Receiver Control Register is “interrupt enable”. This bit may be both read and written by the processor. The interrupt enable is initially zero. If it is set to one by the

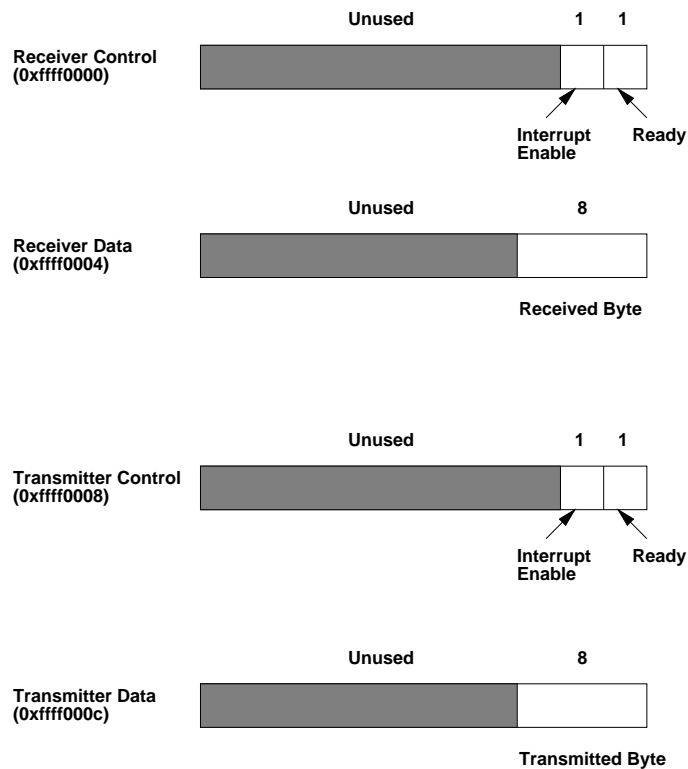


Figure 7: The terminal is controlled by four device registers, each of which appears as a special memory location at the given address. Only a few bits of the registers are actually used: the others always read as zeroes and are ignored on writes.

processor, an interrupt is requested by the terminal on level zero whenever the ready bit is one. For the interrupt actually to be received by the processor, interrupts must be enabled in the status register of the system coprocessor (see Section 2).

Other bits of the Receiver Control Register are unused: they always read as zeroes and are ignored in writes.

The second terminal device register is the Receiver Data Register (at address 0xffff0004). The low-order eight bits of this register contain the last character typed on the keyboard, and all the other bits contain zeroes. This register is read-only and only changes value when a new character is typed on the keyboard. Reading the Receiver Data Register causes the ready bit in the Receiver Control Register to be reset to zero.

The third terminal device register is the Transmitter Control Register (at address 0xffff0008). Only the low-order two bits of this register are used, and they behave much like the corresponding bits of the Receiver Control Register. Bit 0 is called “ready” and is read-only. If it is one it means the transmitter is ready to accept a new character for output. If it is zero it means the transmitter is still busy outputting the previous character given to it. Bit one is “interrupt enable”; it is readable and writable. If it is set to one, then an interrupt will be requested on level one whenever the ready bit is one.

The final device register is the Transmitter Data Register (at address 0xffff000c). When it is written, the low-order eight bits are taken as an ASCII character to output to the display. When the Transmitter Data Register is written, the ready bit in the Transmitter Control Register will be reset to zero. The bit will stay zero until enough time has elapsed to transmit the character to the terminal; then the ready bit will be set back to one again. The Transmitter Data Register should only be written when the ready bit of the Transmitter Control Register is one; if the transmitter isn't ready then writes to the Transmitter Data Register are ignored (the write appears to succeed but the character will not be output).

In real computers it takes time to send characters over the serial lines that connect terminals to computers. These time lags are simulated by SPIM. For example, after the transmitter starts transmitting a character, the transmitter's ready bit will become zero for a while. SPIM measures this time in instructions executed, not in real clock time. This means that the transmitter will not become ready again until the processor has executed a certain number of instructions. If you stop the machine and look at the ready bit using SPIM, it will not change. However, if you let the machine run then the bit will eventually change back to one.